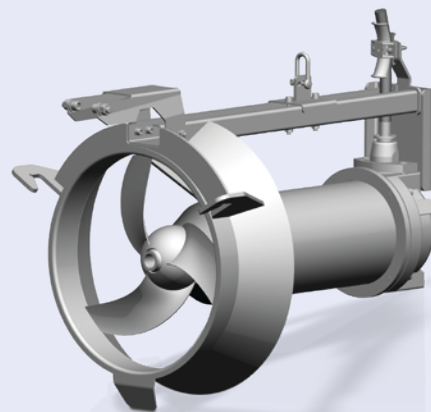
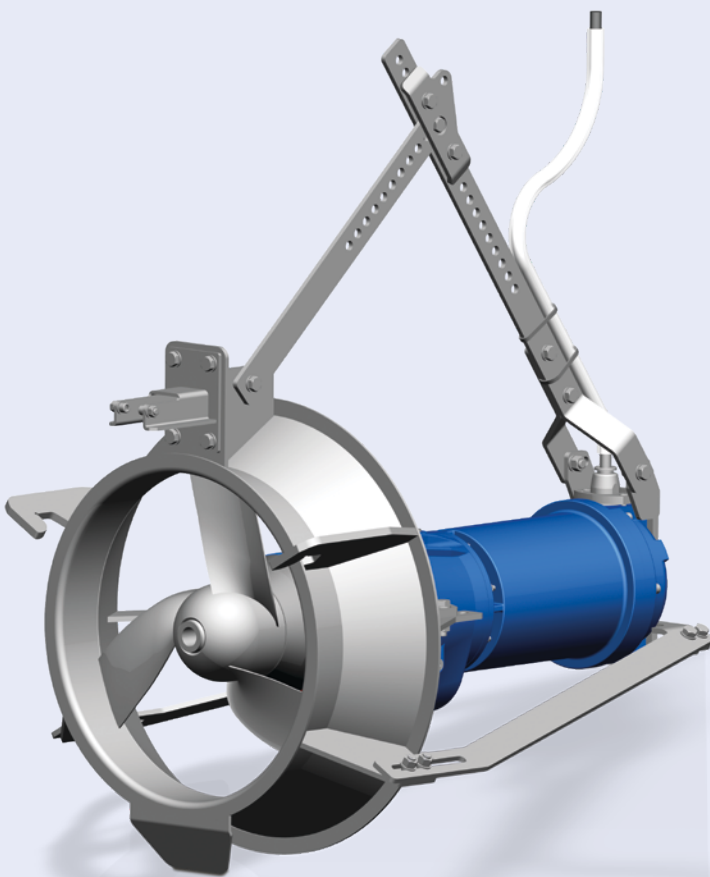


## Amaline – Submersible Pump



### Applications:

- Recirculating activated sludge from the nitrification to the denitrification stage of activated sludge tanks
- Economic handling of stormwater, river water, surface water and polder water at low heads
- Generating flow in water bodies

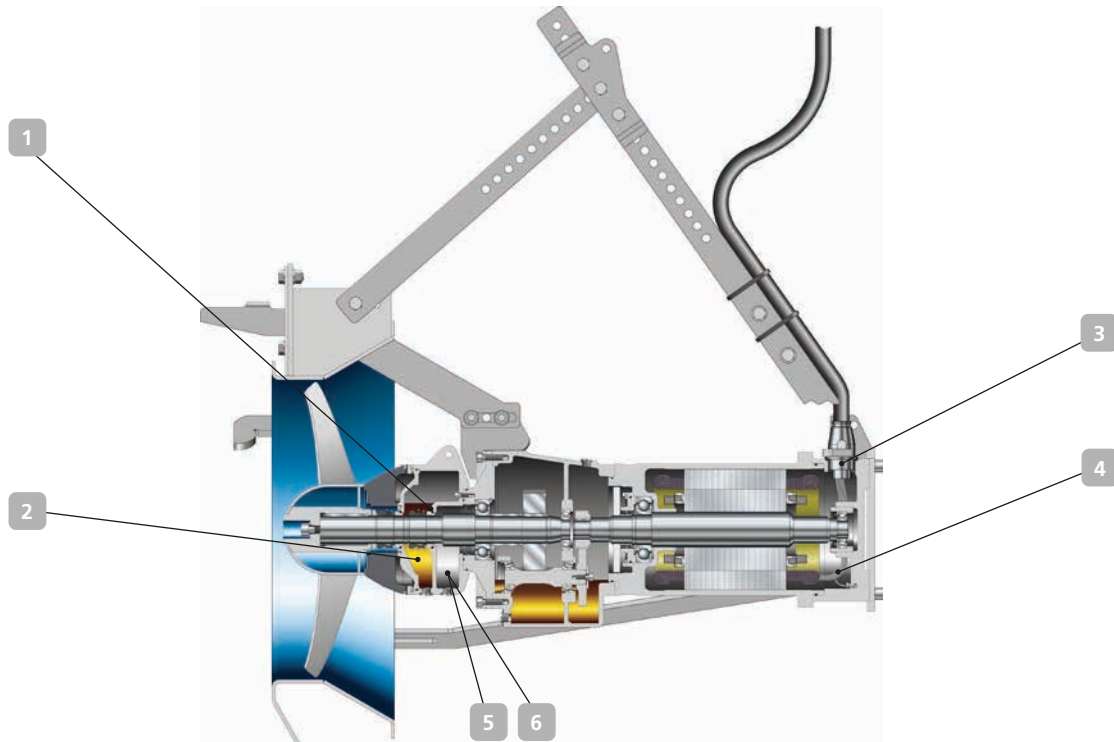
More information: [www.ksb.com/products](http://www.ksb.com/products)

### Intelligent monitoring



Amacontrol III – Protection Module  
for Water and Waste Water Products

# Amaline – Submersible Pump



## 1 Maximum reliability

3-fold dynamic sealing system consisting of two (SiC/SiC) mechanical seals and a lip seal.

## 2 Environmentally friendly

The oil chamber is filled with ecologically acceptable white oil.

## 3 Perfectly protected

An absolutely water-tight cable entry protects the motor against humidity.

## 4 Overheating impossible

Temperature sensors monitor any heat build-up in the motor.

## 5 Everything under control\*

A leakage chamber between the oil chamber and the gear unit provides additional safety.

## 6 Optional\*

Leakage sensor in leakage chamber available for non-explosionproof version

## 16,000 operating hours without oil change

Oil change required every two years

## Easy to install

\*Amaline 500/600/800 only

### Technical data

	Amaline 200/300/400 (direct drive)	Amaline 500/600/800 (spur gear drive)
Speed [rpm]	725 – 1,450	206 – 719
Power [kW]	1.25 – 7.5	4.5 – 27.0
Nominal diameter [DN]	200/300/400	500/600/800
Flow rate [m <sup>3</sup> /h]	425 – 1,800	2,700 – 6,600
Head [m]	1.2 – 3.4	2.15 – 3.5
Fluid temperature [°C]	max. 40	max. 40



KSB SE & Co. KGaA  
Johann-Klein-Straße 9  
67227 Frankenthal (Germany)  
www.ksb.com