

## MODELS 106-PG / S106-PG

### Single Chamber, Hydraulically Operated Valve

#### KEY FEATURES

- Anti-cavitation option is ideal for high pressure drop situations
- Available in globe and angle style

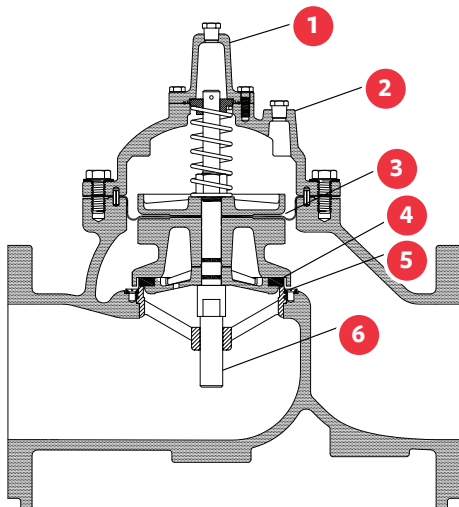
#### PRODUCT OVERVIEW

The 106-PG series control valve is designed to suit a large variety of applications such as pressure, flow or level control. This hydraulically operated valve introduces or releases water from the control chamber above the diaphragm to effectively maintain accurate water control

Refer to Main Valve Options on and Pilots & Accessories in the Singer Full Product Catalogue to further customize the valve to suit specific applications.

#### PRODUCT LINE DRAWING

ID	PART NAME
1	Removable Stem Cap
2	ASTM A536 Ductile Iron Construction
3	Diaphragm EPDM
4	EPDM Resilient Disc
5	AISI 316 Stainless Steel Seat
6	AISI 316 Stainless Steel Stem
7	NSF 61 Fusion Bonded Epoxy Coating



#### ALTERNATIVE MODELS



A106-PG ANGLE



106-PG THREADED

#### SELECTION

Automatic control valves operate by introducing or exhausting water from above the diaphragm at controlled rates. A pressure differential is required and is either inlet to outlet or inlet to atmosphere, depending on the application. Valves are sized to provide an appropriate pressure drop for each application. Most valves require a minimum of 10 psi / 0.7 bar pressure drop to operate. This applies mostly to valves that have the bonnet vented to downstream. With minimum of 5 psi / 0.35 bar downstream pressure, many valves can be made to open fully by venting the bonnet to atmosphere.

Our control valves are designed for use with clean potable water. Applications for other media are possible. Consult with us.

Careful consideration of the possibility of cavitation must be given. Anti-cavitation trim is available to control the cavitation, reduce noise

# MODELS 106-PG / S106-PG

## Single Chamber, Hydraulically Operated Valve

### VALVE SIZES & MATERIALS

#### VALVE STYLES

Available Sizes	DUCTILE		STAINLESS STEEL	
	Threaded	Flanged	Threaded	Flanged
Globe	1" to 3" (25 - 80 mm)	1 ½" to 36" (40 - 900 mm)	½" to 2" (15 - 50 mm)	1 ½" to 6" (40 - 150 mm)
Angle	1" to 3" (25 - 80 mm)	2" to 12", 16" (50 - 300 mm, 400 mm)	N/A	N/A

#### VALVE COMPONENTS

	DUCTILE		STAINLESS STEEL	
	Standard	Optional	Standard	Optional
1. Valve Body, Cover	65-45-12 Ductile Iron	-	316 Stainless Steel	-
2. Seat Ring	316 Stainless Steel	-	316 Stainless Steel	-
3. Disc Retainer	B16 Brass / B62 Bronze / A536 Ductile Iron	316 Stainless Steel	316 Stainless Steel	-
4. Stem	316 Stainless Steel	-	316 Stainless Steel	-
5. Stem Nut	B16 Brass	316 Stainless Steel	316 Stainless Steel	-
6. Spring	316 Stainless Steel	-	316 Stainless Steel	-
7. Guide Bushings	B16 Brass or SAE 660 Bronze	316 Stainless Steel	316 Stainless Steel	-
8. Diaphragm	EPDM	Buna-N / Viton (limited sizes)	EPDM	Buna-N / Viton (limited sizes)
9. Resilient Disc	EPDM	Buna-N / Viton (limited sizes)	EPDM	Buna-N / Viton (limited sizes)
10. Coating	NSF61 Approved Fusion Bonded Epoxy Thickness 10-14 mils (250 - 350 microns)	Consult factory	-	-
11. Fasteners	18-8 Stainless Steel	316 Stainless Steel	18-8 Stainless Steel	316 Stainless Steel

and prevent damage. Refer to 106-AC or consult with us.

The 106-PG single chambered valve is the basic valve used in practically every model bearing the 106 description. The pilot systems are designed to meet the functional and performance requirements of specific applications. Sizing is ultimately determined by the specific application.

### AVAILABLE OPTIONS

Further customize the valve by adding any of the available options below.

### MAIN VALVE OPTIONS

**Position Indicators (Available for install at Singer® manufacturing or as a field modification)**

- Model X107 stem mounted position indicators
- Model X129 limit switch assembly with Single Pole Double Throw limit switch (Double Pole Double Throw optional)
- Model X156 position transmitter (4 to 20 mA)

**Oxy-Nitride Stem**

**Internal Drop Check**

**External Spring Lift**

**Grooved Ends**

**Reclaim Water**

### PILOTS & ACCESSORIES, MATERIALS OF CONSTRUCTION

Individual components can be upgraded from ductile iron, bronze and brass to stainless steel, for most sizes. Consult with us.

### MODEL PGM

Provides a fully operational back-up system in the event of a diaphragm or pilot failure.

### ANTI-CAVITATION TRIM

Model 106-AC allows very high pressure drops in one valve, while retaining the standard 106 valve features.

### ORDERING INSTRUCTIONS

Refer to the order form and ordering instructions.

# MODELS 106-PG / S106-PG

## Single Chamber, Hydraulically Operated Valve

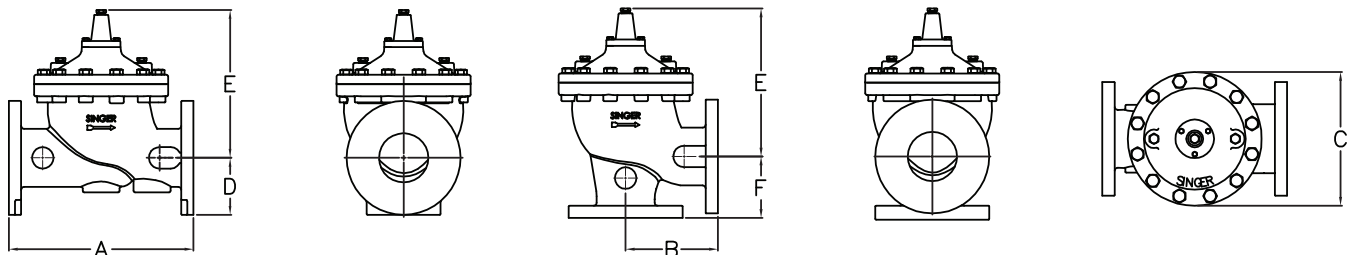
### ANSI VALVE DATA (US UNITS)

SIZE	DWG	STANDARD	FLAT DIAPHRAGM SYSTEM												
			INCHES	REF	ANSI	1/2"	3/4"	1"	1 1/4"	1 1/2"	2"	2 1/2"	3"	4"	6"
<b>GLOBE DIMENSIONS</b>			<b>ALL FIGURES SHOWN IN INCHES UNLESS OTHERWISE STATED</b>												
Lay Length	A	FNPT	6.75	6.75	6.75	9.38	11.00	13.50	-	-	-	-	-	-	-
Centerline to Bottom	D	FNPT	2.50	2.50	2.50	2.75	3.38	3.68	-	-	-	-	-	-	-
Lay Length	A	150F	-	-	8.50	9.38	11.00	12.00	15.00	20.00	25.38	-	-	-	-
Centerline to Bottom	D	150F	-	-	2.75	3.00	3.50	3.75	4.60	5.60	7.63	-	-	-	-
Lay Length	A	300F	-	-	9.00	10.00	11.63	13.25	15.63	21.00	26.38	-	-	-	-
Centerline to Bottom	D	300F	-	-	3.25	3.25	3.75	4.13	5.09	6.34	7.88	-	-	-	-
<b>ANGLE DIMENSIONS</b>															
Center Inlet to Discharge	B	FNPT	3.38	3.38	3.38	4.69	5.50	6.63	-	-	-	-	-	-	-
Center Discharge to Inlet	F	FNPT	3.00	3.00	3.00	3.25	4.00	4.63	-	-	-	-	-	-	-
Center Inlet to Discharge	B	150F	-	-	-	4.75	5.50	6.06	7.50	10.00	12.75	-	-	-	-
Center Discharge to Inlet	F	150F	-	-	-	3.25	4.00	4.06	5.00	6.00	8.00	-	-	-	-
Center Inlet to Discharge	B	300F	-	-	-	5.00	5.88	6.43	7.88	10.50	13.25	-	-	-	-
Center Discharge to Inlet	F	300F	-	-	-	3.50	4.31	4.43	5.31	6.50	8.50	-	-	-	-
<b>COMMON DIMENSIONS (GLOBE &amp; ANGLE)</b>															
Width	C		4.88	4.88	6.13	6.50	8.19	9.25	10.88	16.75	21.63	-	-	-	-
Height (To Stem Cap) Globe	E		4.38	4.38	4.38	4.75	7.50	8.00	9.15	11.75	14.91	-	-	-	-
Height (To Stem Cap) Angle	E		4.38	4.38	4.38	4.75	7.50	8.00	9.15	11.75	14.91	-	-	-	-
Body Port Tapping		FNPT	3/8	3/8	3/8	3/8	3/8	3/8	3/8	3/8	1/2	-	-	-	-
Stem Cap Plug		MNPT	3/8	3/8	3/8	3/8	3/8	3/8	3/8	3/8	3/8	-	-	-	-
Cover Port Tapping		FNPT	3/8	3/8	3/8	3/8	3/8	3/8	3/8	1/2	1/2	-	-	-	-
Valve Stroke			1/2	1/2	1/2	9/16	15/16	1 1/8	1 1/16	1 11/16	2 7/8	-	-	-	-
Displaced Bonnet Volume (Gallons)			0.007	0.007	0.007	0.02	0.1	0.1	0.2	0.6	1.7	-	-	-	-
Approximate Shipping Weight (Lbs)			20	20	20	40	65	100	175	400	650	-	-	-	-
<b>FLOW CAPACITIES (USGPM) GLOBE &amp; ANGLE</b>															
C <sub>v</sub> - Globe			28	30	32	55	80	110	200	460	800	-	-	-	-
C <sub>v</sub> - Angle			24	24	26	63	90	135	230	535	950	-	-	-	-
Continuous (Globe)			49	93	125	210	300	460	800	1800	3100	-	-	-	-
Intermittent (Globe)			61	120	160	260	375	575	1000	2250	3875	-	-	-	-
Momentary (Globe)			110	170	250	470	670	1030	1800	4000	7000	-	-	-	-
<b>MAXIMUM PRESSURE RATINGS (DUCTILE ONLY)</b>															
psi <sup>1</sup>		FNPT	400	400	400	400	400	400	400	-	-	-	-	-	-
psi		150F	-	-	250	250	250	250	250	250	250	-	-	-	-
psi <sup>1</sup>		300F	-	-	400	400	400	400	400	400	400	-	-	-	-
<b>MAXIMUM TEMPERATURE</b>															
Fahrenheit			180°	180°	180°	180°	180°	180°	180°	180°	180°	-	-	-	-

Available in Stainless Steel only.

Available in Stainless Steel only.

<sup>1</sup>Valves rated and stamped 400 psi as standard. Valves rated and stamped 600 psi on request.



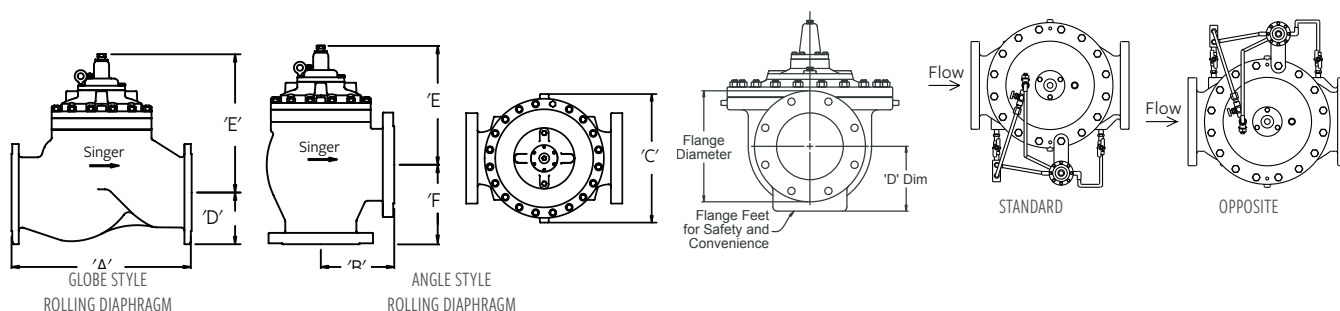
# MODELS 106-PG / S106-PG

## Single Chamber, Hydraulically Operated Valve

### ANSI VALVE DATA (US UNITS)

SIZE	DWG	STANDARD	ROLLING DIAPHRAGM SYSTEM									
			INCHES	REF	ANSI	6"	8"	10"	12"	14"	16"	20"
<b>GLOBE DIMENSIONS</b>			<b>ALL FIGURES SHOWN IN INCHES UNLESS OTHERWISE STATED.</b>									
Lay Length	A	FNPT	-	-	-	-	-	-	-	-	-	-
Centerline to Bottom	D	FNPT	-	-	-	-	-	-	-	-	-	-
Lay Length	A	150F	20.00	25.38	29.75	34.00	31.00	41.38	52.00	61.50	76.00	
Centerline to Bottom	D	150F	5.60	7.63	8.56	9.50	10.50	11.75	14.43	17.13	23.50	
Lay Length	A	300F	21.00	26.38	31.12	35.50	32.50	43.50	53.62	63.25	78.00	
Centerline to Bottom	D	300F	6.34	7.88	9.31	10.25	11.50	12.75	15.75	19.65	25.50	
<b>ANGLE DIMENSIONS</b>												
Center Inlet to Discharge	B	FNPT	-	-	-	-	-	-	-	-	-	
Center Discharge to Inlet	F	FNPT	-	-	-	-	-	-	-	-	-	
Center Inlet to Discharge	B	150F	10.00	12.75	11.50	13.75	-	18.00	-	-	-	
Center Discharge to Inlet	F	150F	6.00	8.00	12.50	12.50	-	15.69	-	-	-	
Center Inlet to Discharge	B	300F	10.50	13.25	12.19	14.50	-	18.81	-	-	-	
Center Discharge to Inlet	F	300F	6.50	8.50	13.19	13.25	-	16.50	-	-	-	
<b>COMMON DIMENSIONS (GLOBE &amp; ANGLE)</b>												
Width	C		12.75	16.09	22.13	26.00	26.00	32.00	35.00	49.68	56.00	
Height (To Stem Cap) Globe	E		13.62	17.93	23.31	26.75	26.80	31.40	35.50	45.75	61.00	
Height (To Stem Cap) Angle	E		-	-	20.00	23.75	-	28.50	-	-	-	
Body Port Tapping		FNPT	3/8	1/2	3/4	3/4	3/4	3/4	3/4	3/4	1	
Stem Cap Plug		MNPT	3/8	3/8	3/4	3/4	3/4	3/4	3/4	3/4	1	
Cover Port Tapping		FNPT	1/2	1/2	3/4	3/4	3/4	3/4	3/4	3/4	1	
Valve Stroke			1 11/16	2 7/8	3 1/4	3 3/4	3 3/4	4 3/4	5 9/16	6	9	
Displaced Bonnet Volume (Gallons)			0.50	1.00	1.50	2.30	2.30	6.75	9.00	14.75	43	
Approximate Shipping Weight (Lbs)			350	650	900	1300	1400	2300	3450	5000	13500	
<b>FLOW CAPACITIES (USGPM) GLOBE &amp; ANGLE</b>												
C <sub>v</sub> - Globe			460	800	1300	2100	2575	3300	5100	7600	16340	
C <sub>v</sub> - Angle			535	950	1400	2450	-	4000	-	-	-	
Continuous (Globe)			1800	3100	4900	7000	8500	11000	17500	25000	55475	
Intermittent (Globe)			2250	3875	6100	8800	11500	14250	21700	31200	69338	
Momentary (Globe)			4000	7000	11000	16000	19000	25000	39000	56200	124700	
<b>MAXIMUM PRESSURE RATINGS (DUCTILE ONLY)</b>												
psi <sup>1</sup>		FNPT	-	-	-	-	-	-	-	-	-	
psi		150F	250	250	250	250	250	250	250	250	250	
psi <sup>1</sup>		300F	400	400	400	400	400	400	400	400	400	
<b>MAXIMUM TEMPERATURE</b>												
Fahrenheit			180°	180°	180°	180°	180°	180°	180°	180°	180°	

<sup>1</sup>Valves rated and stamped 400 psi as standard. Valves rated and stamped 600 psi on request.



# MODELS 106-PG / S106-PG

## Single Chamber, Hydraulically Operated Valve

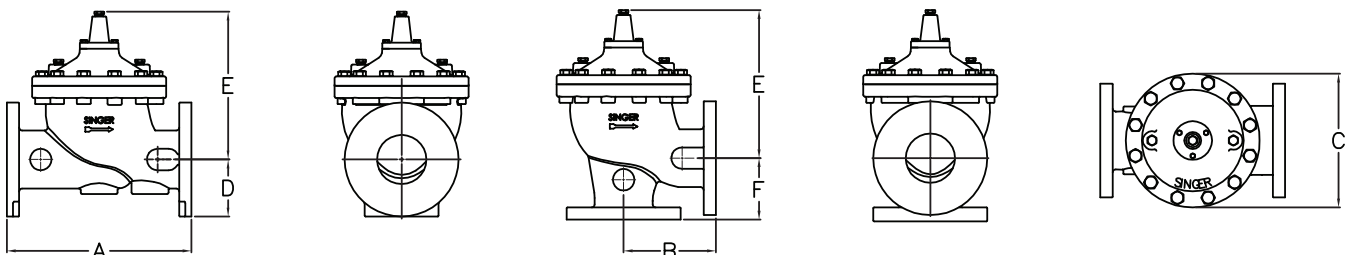
### ANSI VALVE DATA (METRIC UNITS)

SIZE	DWG	STND	FLAT DIAPHRAGM SYSTEM											
			MM	REF	ANSI	15 MM	20 MM	25 MM	32 MM	40 MM	50 MM	65 MM	80 MM	100 MM
<b>GLOBE DIMENSIONS</b>			<b>ALL FIGURES SHOW IN MM UNLESS OTHERWISE STATED</b>											
Lay Length	A	FNPT				171	171	171	238	279	343	-	-	-
Centerline to Bottom	D	FNPT				64	64	64	70	86	93	-	-	-
Lay Length	A	150F				-	-	216	238	279	305	381	508	645
Centerline to Bottom	D	150F				-	-	70	76	89	95	117	142	200
Lay Length	A	300F				-	-	229	254	295	337	397	533	670
Centerline to Bottom	D	300F				-	-	83	83	95	105	129	161	200
<b>ANGLE DIMENSIONS</b>														
Center Inlet to Discharge	B	FNPT				86	86	86	119	140	168	-	-	-
Center Discharge to Inlet	F	FNPT				76	76	76	83	102	118	-	-	-
Center Inlet to Discharge	B	150F				-	-	-	121	140	154	191	254	324
Center Discharge to Inlet	F	150F				-	-	-	83	102	103	127	152	203
Center Inlet to Discharge	B	300F				-	-	-	127	149	163	200	267	337
Center Discharge to Inlet	F	300F				-	-	-	89	109	113	135	165	216
<b>COMMON DIMENSIONS (GLOBE &amp; ANGLE)</b>														
Width	C					124	124	156	165	208	235	276	425	549
Height (to stem cap) Globe	E					111	111	111	121	191	203	232	298	379
Height (to stem cap) Angle	E					111	111	111	121	191	203	232	298	379
Body Port Tapping	FNPT	Inches				3/8	3/8	3/8	3/8	3/8	3/8	3/8	3/8	1/2
Stem Cap Plug	MNPT	Inches				3/8	3/8	3/8	3/8	3/8	3/8	3/8	3/8	3/8
Cover Port Tapping	FNPT	Inches				3/8	3/8	3/8	3/8	3/8	3/8	3/8	1/2	1/2
Valve Stroke		mm				13	13	13	14	25	29	37	43	73
Displaced Bonnet Volume (Liters)						0.03	0.03	0.03	0.1	0.3	0.3	0.8	2.1	6.3
Approximate Shipping Weight (Kilograms)						9	9	9	18	29	45	79	181	295
<b>FLOW CAPACITIES (L/S) GLOBE &amp; ANGLE</b>														
K <sub>v</sub> - Globe (m <sup>3</sup> /h @ 1 bar)						24	26	28	48	69	95	173	398	692
K <sub>v</sub> - Angle (m <sup>3</sup> /h @ 1 bar)						21	21	22	54	78	117	199	463	822
Continuous (Globe)						3	6	8	13	19	29	50	114	196
Intermittent (Globe)						4	8	10	16	24	36	63	142	244
Momentary (Globe)						7	11	16	30	42	65	114	252	442
<b>MAXIMUM PRESSURE RATINGS (DUCTILE ONLY)</b>														
Bar <sup>1</sup>		FNPT				27.6	27.6	27.6	27.6	27.6	27.6	-	-	-
Bar		150F				-	-	17	17	17	17	17	17	17
Bar <sup>1</sup>		300F				-	-	27.6	27.6	27.6	27.6	27.6	27.6	27.6
<b>MAXIMUM TEMPERATURE</b>														
Celcius						82°	82°	82°	82°	82°	82°	82°	82°	82°

Available in Stainless Steel only.

Available in Stainless Steel only.

<sup>1</sup>Valves rated and stamped 27.6 bar as standard. Valves rated and stamped 41 bar on request.



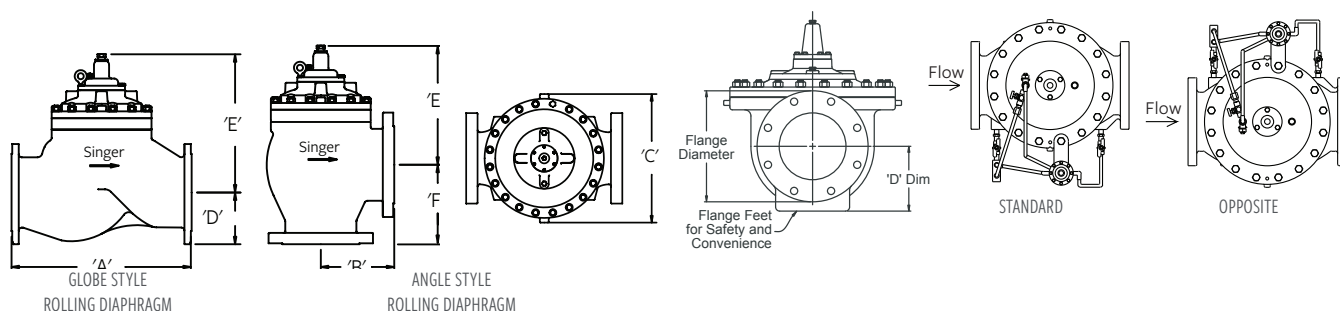
# MODELS 106-PG / S106-PG

## Single Chamber, Hydraulically Operated Valve

### ANSI VALVE DATA (METRIC UNITS)

SIZE	DWG	STANDARD	ROLLING DIAPHRAGM SYSTEM									
			MM	REF	ANSI	150 MM	200 MM	250 MM	300 MM	350 MM	400 MM	500 MM
<b>GLOBE DIMENSIONS</b>			<b>ALL FIGURES SHOWN IN MM UNLESS OTHERWISE STATED.</b>									
Lay Length	A	FNPT	-	-	-	-	-	-	-	-	-	-
Centerline to Bottom	D	FNPT	-	-	-	-	-	-	-	-	-	-
Lay Length	A	150F	508	645	756	864	787	1051	1321	1562	1930	
Centerline to Bottom	D	150F	142	200	217	241	267	298	367	435	597	
Lay Length	A	300F	533	670	790	902	826	1105	1362	1607	1981	
Centerline to Bottom	D	300F	161	200	236	260	292	324	400	499	648	
<b>ANGLE DIMENSIONS</b>												
Center Inlet to Discharge	B	FNPT	-	-	-	-	-	-	-	-	-	-
Center Discharge to Inlet	F	FNPT	-	-	-	-	-	-	-	-	-	-
Center Inlet to Discharge	B	150F	254	324	292	349	-	457	-	-	-	
Center Discharge to Inlet	F	150F	152	203	318	318	-	399	-	-	-	
Center Inlet to Discharge	B	300F	267	337	310	368	-	478	-	-	-	
Center Discharge to Inlet	F	300F	165	216	335	337	-	419	-	-	-	
<b>COMMON DIMENSIONS (GLOBE &amp; ANGLE)</b>												
Width	C		324	409	562	660	660	813	889	1262	1422	
Height (To Stem Cap) Globe	E		346	455	592	679	681	798	902	1162	1550	
Height (To Stem Cap) Angle	E		-	-	508	603	-	724	-	-	-	
Body Port Tapping	FNPT	Inches	3/8	1/2	3/4	3/4	3/4	3/4	3/4	3/4	3/4	1
Stem Cap Plug	MNPT	Inches	3/8	3/8	3/4	3/4	3/4	3/4	3/4	3/4	3/4	1
Cover Port Tapping	FNPT	Inches	1/2	1/2	3/4	3/4	3/4	3/4	3/4	3/4	3/4	1
Valve Stroke		mm	43	73	83	95	95	120	141	150	229	
Displaced Bonnet Volume (Litres)			2	4	6	9	9	26	34	56	163	
Approximate Shipping Weight (Kilograms)			160	250	480	590	635	1043	1565	2268	6124	
<b>FLOW CAPACITIES (L/S) GLOBE &amp; ANGLE</b>												
K <sub>v</sub> - Globe (m <sup>3</sup> /h @ 1 bar)			398	692	1150	1817	2227	2855	4412	6574	14134	
K <sub>v</sub> - Angle (m <sup>3</sup> /h @ 1 bar)			463	822	1211	2119	-	3460	-	-	-	
Continuous (Globe)			114	196	309	442	536	694	1104	1577	3500	
Intermittent (Globe)			142	244	385	555	726	899	1370	1968	4375	
Momentary (Globe)			252	442	694	1009	1199	1577	2460	3546	7867	
<b>MAXIMUM PRESSURE RATINGS (DUCTILE ONLY)</b>												
Bar <sup>1</sup>	FNPT		-	-	-	-	-	-	-	-	-	
Bar	150F		17	17	17	17	17	17	17	17	17	
Bar <sup>1</sup>	300F		28	28	28	28	28	28	28	28	28	
<b>MAXIMUM TEMPERATURE</b>												
Celcius			82°	82°	82°	82°	82°	82°	82°	82°	82°	

<sup>1</sup>Valves rated and stamped 27.6 bar as standard. Valves rated and stamped 41 bar on request.



# MODELS 106-PG / 206-PG

## Single Chamber, Hydraulically Operated Valve

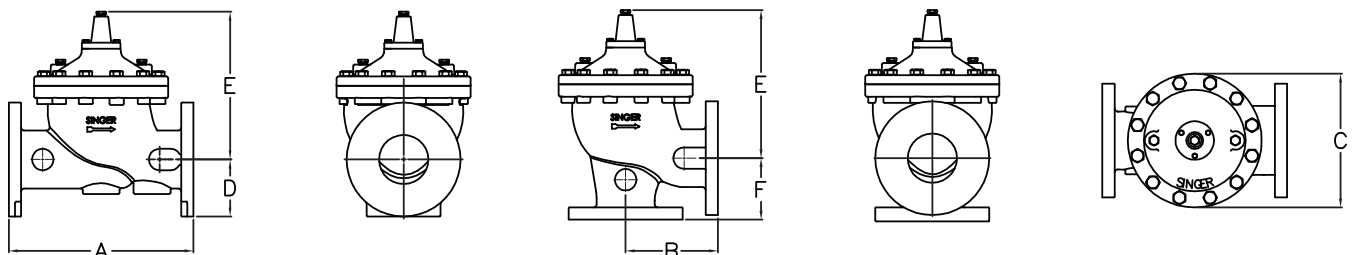
### ANSI VALVE DATA (METRIC UNITS)

SIZE	DWG	STND	FLAT DIAPHRAGM SYSTEM												
			MM	REF	ISO	15 MM	20 MM	25 MM	32 MM	40 MM	50 MM	65 MM	80 MM	100 MM	150 MM
<b>GLOBE DIMENSIONS</b>			<b>ALL FIGURES SHOW IN MM UNLESS OTHERWISE STATED</b>												
Lay Length	A	BSPT			171	171	171	238	279	343	-	-	-	-	-
Centerline to Bottom	D	BSPT			64	64	64	70	86	93	-	-	-	-	-
Lay Length	A	PN10 / PN16			-	-	229	238	279	318	381	508	645		
Centerline to Bottom	D	PN10 / PN16			-	-	83	76	89	100	117	142	200		
Lay Length	A	PN25 / PN40			-	-	229	238	279	318	397	533	670		
Centerline to Bottom	D	PN25 / PN40			-	-	83	76	89	100	129	161	200		
<b>ANGLE DIMENSIONS</b>															
Center Inlet to Discharge	B	BSPT			86	86	86	119	140	168	-	-	-		
Center Discharge to Inlet	F	BSPT			76	76	76	83	102	118	-	-	-		
Center Inlet to Discharge	B	PN10 / PN16			-	-	-	121	140	163	191	254	324		
Center Discharge to Inlet	F	PN10 / PN16			-	-	-	83	102	113	127	152	203		
Center Inlet to Discharge	B	PN25 / PN40			-	-	-	121	140	163	200	267	337		
Center Discharge to Inlet	F	PN25 / PN40			-	-	-	83	102	113	135	165	216		
<b>COMMON DIMENSIONS (GLOBE &amp; ANGLE)</b>															
Width	C				124	124	156	165	208	235	276	425	549		
Height (To Stem Cap) Globe	E				111	111	111	121	191	203	232	298	379		
Height (To Stem Cap) Angle	E				111	111	111	121	191	203	232	298	379		
Body Port Tapping	FNPT	Inches			3/8	3/8	3/8	3/8	3/8	3/8	3/8	3/8	1/2		
Stem Cap Plug	MNPT	Inches			3/8	3/8	3/8	3/8	3/8	3/8	3/8	3/8	3/8		
Cover Port Tapping	FNPT	Inches			3/8	3/8	3/8	3/8	3/8	3/8	3/8	1/2	1/2		
Valve Stroke		mm			13	13	13	14	25	29	37	43	73		
Displaced Bonnet Volume (Liters)					0.03	0.03	0.03	0.1	0.3	0.3	0.8	2.1	6.3		
Approximate Shipping Weight (Kilograms)					9	9	9	18	29	45	79	181	295		
<b>FLOW CAPACITIES (L/S) GLOBE &amp; ANGLE</b>															
K <sub>v</sub> - Globe (m <sup>3</sup> /h @ 1 bar)					24	26	28	48	69	95	173	398	692		
K <sub>v</sub> - Angle (m <sup>3</sup> /h @ 1 bar)					21	21	22	54	78	117	199	463	822		
Continuous (Globe)					3	6	8	13	19	29	50	114	196		
Intermittent (Globe)					4	8	10	16	24	36	63	142	244		
Momentary (Globe)					7	11	16	30	42	65	114	252	442		
<b>MAXIMUM PRESSURE RATINGS (DUCTILE ONLY)</b>															
Bar <sup>1</sup>		BSPT			27.6	27.6	27.6	27.6	27.6	27.6	27.6	-	-	-	
Bar		PN16			-	-	16	16	16	16	16	16	16		
Bar <sup>1</sup>		PN25			-	-	25	25	25	25	25	25	25		
<b>MAXIMUM TEMPERATURE</b>															
Celcius					82°	82°	82°	82°	82°	82°	82°	82°	82°	82°	82°

Available in Stainless Steel only.

Available in Stainless Steel only.

<sup>1</sup>Valves rated and stamped 27.6 bar as standard. Valves rated and stamped 41 bar on request.

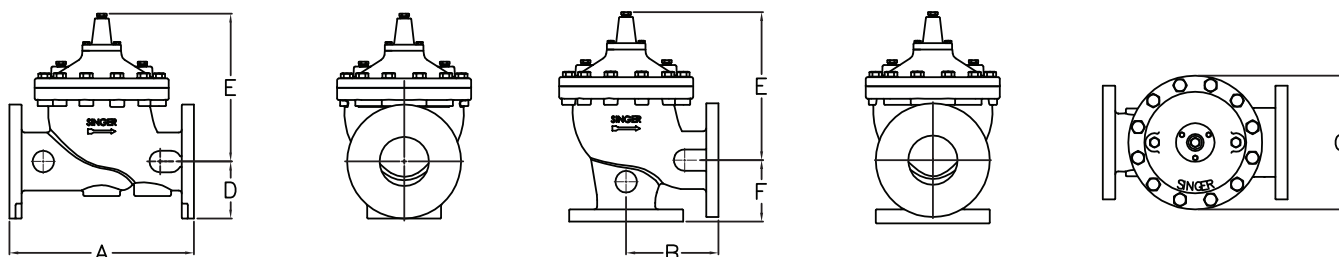


# MODELS 106-PG / S106-PG

## Single Chamber, Hydraulically Operated Valve

### ISO VALVE DATA (METRIC UNITS)

SIZE	DWG	STANDARD	ROLLING DIAPHRAGM SYSTEM									
			MM	REF	ISO	150 MM	200 MM	250 MM	300 MM	350 MM	400 MM	500 MM
<b>GLOBE DIMENSIONS</b>			<b>ALL FIGURES SHOWN IN MM UNLESS OTHERWISE STATED</b>									
Lay Length	A	BSPT	-	-	-	-	-	-	-	-	-	-
Centerline to Bottom	D	BSPT	-	-	-	-	-	-	-	-	-	-
Lay Length	A	PN10 / PN16	508	645	756	864	787	1051	1321	1562	1930	
Centerline to Bottom	D	PN10 / PN16	142	200	217	241	267	298	367	435	597	
Lay Length	A	PN25 / PN40	533	670	790	864	826	1105	1362	1607	1981	
Centerline to Bottom	D	PN25 / PN40	161	200	243	241	292	324	400	499	648	
<b>ANGLE DIMENSIONS</b>												
Center Inlet to Discharge	B	BSPT	-	-	-	-	-	-	-	-	-	
Center Discharge to Inlet	F	BSPT	-	-	-	-	-	-	-	-	-	
Center Inlet to Discharge	B	PN10 / PN16	254	324	292	349		457				
Center Discharge to Inlet	F	PN10 / PN16	152	203	318	318		399				
Center Inlet to Discharge	B	PN25 / PN40	267	337	310	349		478				
Center Discharge to Inlet	F	PN25 / PN40	165	216	335	318		419				
<b>COMMON DIMENSIONS (GLOBE &amp; ANGLE)</b>												
Width	C		324	409	562	660	660	813	889	1262	1422	
Height (To Stem Cap) Globe	E		346	455	592	679	681	798	902	1162	1550	
Height (To Stem Cap) Angle	E		-	-	508	603		724	-			
Body Port Tapping	FNPT	Inches	$\frac{3}{8}$	$\frac{1}{2}$	$\frac{3}{4}$	$\frac{3}{4}$	$\frac{3}{4}$	$\frac{3}{4}$	$\frac{3}{4}$	$\frac{3}{4}$	1	
Stem Cap Plug	MNPT	Inches	$\frac{3}{8}$	$\frac{3}{8}$	$\frac{3}{4}$	$\frac{3}{4}$	$\frac{3}{4}$	$\frac{3}{4}$	$\frac{3}{4}$	$\frac{3}{4}$	1	
Cover Port Tapping	FNPT	Inches	$\frac{1}{2}$	$\frac{1}{2}$	$\frac{3}{4}$	$\frac{3}{4}$	$\frac{3}{4}$	$\frac{3}{4}$	$\frac{3}{4}$	$\frac{3}{4}$	1	
Valve Stroke		mm	43	73	83	95	95	120	141	150	229	
Displaced Bonnet Volume (Litres)			2	4	6	9	9	26	34	56	163	
Approximate Shipping Weight (Kilograms)			160	250	480	590	635	1043	1565	2268	6124	
<b>FLOW CAPACITIES (L/S) GLOBE &amp; ANGLE</b>												
$K_v$ - Globe ( $m^3/h$ @ 1 bar)			398	692	1125	1817	2227	2855	4412	6574	14134	
$K_v$ - Angle ( $m^3/h$ @ 1 bar)			463	822	1211	2119	-	346	-	-	-	
Continuous (Globe)			114	196	309	442	536	694	1104	1577	3500	
Intermittent (Globe)			142	244	385	555	726	899	1370	1968	4375	
Momentary (Globe)			252	442	694	1009	1199	1577	2460	3546	7867	
<b>MAXIMUM PRESSURE RATINGS (DUCTILE ONLY)</b>												
Bar		BSPT	-	-	-	-	-	-	-	-	-	
Bar		PN16	16	16	16	16	16	16	16	16	16	
Bar		PN25	25	25	25	25	25	25	25	25	25	
<b>MAXIMUM TEMPERATURE</b>												
Celcius			82°	82°	82°	82°	82°	82°	82°	82°	82°	





***For more information about us or to view our full line of water products, please visit [www.singervalue.com](http://www.singervalue.com) or call Singer® customer service at 833.367.6835.***

Mueller refers to one or more of Mueller Water Products, Inc. a Delaware corporation ("MWP"), and its subsidiaries. MWP and each of its subsidiaries are legally separate and independent entities when providing products and services. MWP does not provide products or services to third parties. MWP and each of its subsidiaries are liable only for their own acts and omissions and not those of each other. MWP brands include Mueller®, Echologics®, Hydro Gate®, Hydro-Guard®, HYMAX®, Jones®, Krausz®, Mi.Net®, Milliken®, Pratt®, Pratt Industrial®, Singer®, and U.S. Pipe Valve & Hydrant. Please see [muellerwp.com/brands](http://muellerwp.com/brands) and [krauszusa.com](http://krauszusa.com) to learn more.

© 2021 Mueller SV, Ltd. All Rights Reserved. The trademarks, logos and service marks displayed in this document are the property of Mueller SV, Ltd., its affiliates or other third parties. Products above marked with a section symbol (S) are subject to patents or patent applications. For details, visit [www.mwppat.com](http://www.mwppat.com). These products are intended for use in potable water applications. Please contact your Mueller Sales or Customer Service Representative concerning any other application(s).

